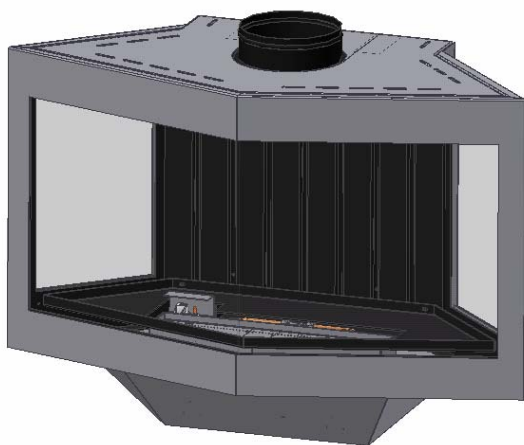


STEALTH



WANDERS

www.wanders.com

Table of contents:

Installation guide	Page 3
Installation possibilities	Page 4
Wood log set	Page 7
Operating instructions	Page 10
Remote control	Page 13
Technical data	Page 15
Guaranty	Page 16
Wall mounting of the Stealth	Page 17

INSTALLATION MANUAL

Technical clues

Important:

Before you install and start using your gas fire, it is very important to read these instructions thoroughly. Keep them in a safe place. During the construction of our stoves we have not only paid our utmost attention to quality and design, but also to maximum ease of use. We are therefore confident that you will enjoy your stove for many years.

Your Wanders gas fire is built with a single burner system and the hearth has a closed combustion room. Thanks to the use of a double walled (concentric) tube and to natural draft, the necessary oxygen can be taken from outside the building, while waste gases are blown out at the same time.

INSTALLATION REGULATIONS

Technical indications

- The Stealth is designed to be wall-mounted and should be installed by a qualified fitter, in accordance with the national standards.
- In case inflammable materials should be present behind the gas-fire, an additional fireproof plate must be installed.**
- Check if the stove was made fit for the desired gas type. This is indicated on the license plate at the back of the stove.
- Check if the gas pressure is correct. This too is indicated on the license plate.
- Adjustments and other adaptations may only be carried out by an approved fitter and in accordance with the applicable regulations.
- Respect the valid general gas installation regulations.

Installation possibilities

The Stealth can be installed in many different ways. The two main possibilities are:

1. Through the wall
2. Through the roof

The stove may only be installed using flue material approved by Wanders!

For installation through the wall or through the roof, the under mentioned conditions need to be respected:

1. For installation immediately against the façade, at least 1 meter of flue pipe should be placed vertically. Then the elbow and then the wall-outlet.
2. For installation farther away from the façade, first place 1 meter of flue pipe
The length of pipes used horizontally should never be over 3 meters, excl.
3. The maximum total length is 10 meters (elbows count for 2 meter !)

Explanation of the installation possibilities

For a right angle count 2 meters and for a 45 degrees bend count 0,5 meter. If installed through the façade or through the roof, the length of the wall- or roof outlet does not have to be included in the calculation. The maximum total length is the sum of the length of the flue pipes, plus the calculated length of the bends. In figure 1 this is illustrated by means of 4 examples. Here the maximum flue pipe length is mentioned for installation through the roof. For a through the wall installation the maximum horizontal length is drawn. The vertical length should be 4 meter at the most as $4+4+(1 \times 2)=10$

The wall outlet is supplied with the following parts:

- *wall outlet 500 mm.
- * fitting ring

The roof outlet set, flue pipes and bends are packed individually and supplied with fitting ring. Additionally a tile and plate are available for an outlet via a flat or slope roof.

USING THE STOVE FOR THE FIRST TIME

When making use of the stove for the very first time, an unpleasant odour may occur, resulting from the evaporation of some elements in the heat resistant paint. Depending on the intensity and duration of the usage, this smell will disappear after several hours. We therefore advise to do the initial burning at the maximum level, while ventilating the place well.

Fixing the Stealth to the wall (see page 17)

Preparations for installing the intake and exhaust system:

Make a choice from the installation possibilities according to figure 1. Build up the concentric tubes from the top of the stove. If, because of architectural circumstances, part of the concentric tube system needs to be built in first, please pay extra attention to the correct installation manner.

You will find a tube connecting piece on top of the stove. Connect the first meter of tube on top of this piece. Keep a minimum distance of 5 cm. between the tube, the ceiling and the wall.

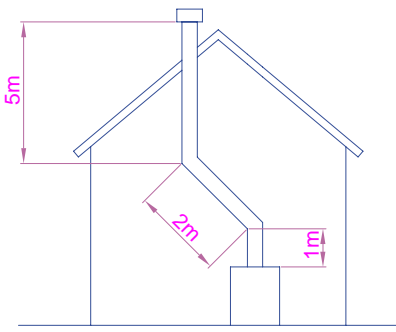
Wall-outlet with concentric tubes:

- determine the situation of the stove and of the wall-outlet.
- make a round hole in the wall, with a diameter of 155 mm.
- now connect 1 meter of flue-pipe, 1 elbow and the wall-outlet on top of the gas-fire. Press firmly into position and connect the clamps.

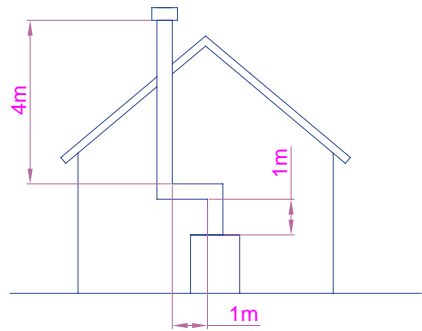
Roof-outlet with concentric tubes:

A roof-outlet can be led to any spot of the roof, including indirectly to the ridge. Depending on the choice of installation, the roof-outlet is supplied with an aluminium fixing tile for flat roofs, or with a universally adaptable tile for a slope roof.

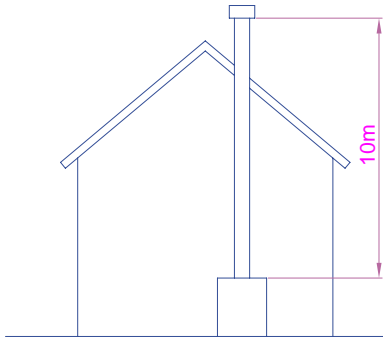
- determine the situation of the stove and of the roof-outlet.
- make a round hole in the ceiling with a diameter of 160 mm.
- now connect the concentric flue-pipes to the stove vertically. Press firmly into position and connect the clamps.
- determine the total length of the tubes and secure a perfect fitting of the aluminium or universal fixing tile to the roof.
- place at least 2 wall fixing rings on every floor. The weight of the flue-pipes should never be carried by the stove itself.
- connect the roof-outlet to the concentric tubes.



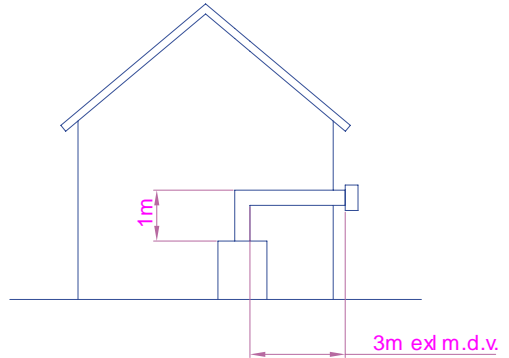
$$L = 1 + 2 + 5 + (2 \times 1) = 10$$



$$L = 1 + 1 + 4 + (2 \times 1) = 10$$



$$L = 10m$$



$$L = 3 + 1 + (1 \times 2) = 6M$$

Figure 1

With a vertical roof outlet from 2 meters up to 6 meters one needs to place a staunch ring of Ø 50 mm. From 6 meters up to 10 meters one needs to place a staunch ring of Ø 40 mm This is done by placing the staunch ring in the inner pipe of the pipe mouth

ATTENTION: you can also first install the tubes, before placing the stove. You should then make use of a piece of telescopic tube with adaptable length, so that the necessary length can be achieved easily.

WOODLOG SET

Take off the frame by removing the 4 screws in the left and right corners (see scheme 3A). Next, take off the upper glass frame by removing the 4x8mm.screws. Then remove the glass by pulling it out upwards; the lower glass frame can stay in position, but the screws need to be unscrewed a bit. (see scheme 3b).

Now first cover the bottom of the burner with the supplied granules only with natural gas (see scheme 2A).

Never place granules on the burner with propane (LPG)

Never place more granules on the burner than the supplied quantity!

Now place the logs. Be sure to put them in exactly the same position as shown in the schemes 2B and 2C. Also make sure that the glass and the frame seal perfectly before lightning the fire.

GAS CONNECTION

- * Use an approved G3/8 inch stop tap with clutch in the gas tube
- * The gas control unit is placed at the bottom on the front side , behind the lid
- * ventilate the gas tube, before the stove is being connected.
- * Avoid tension on the tap and gas tube; This may increase the risk of leakage.
- * Check the connection on gas tightness.



scheme.2a

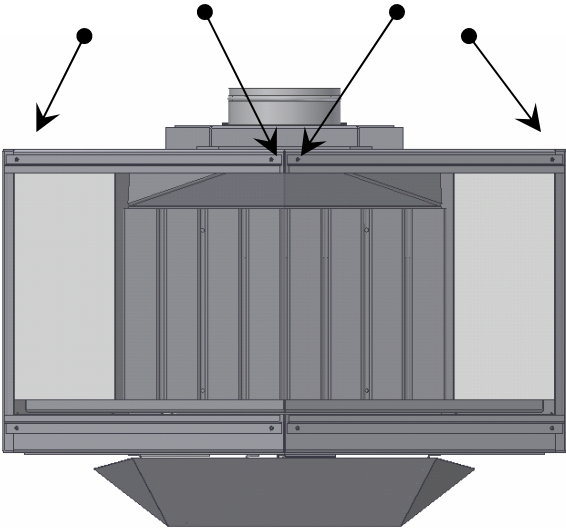
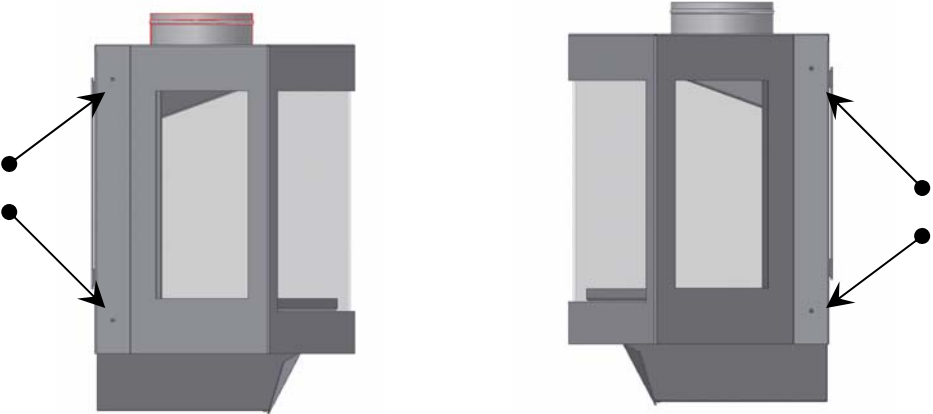


scheme.2b



Scheme.2c

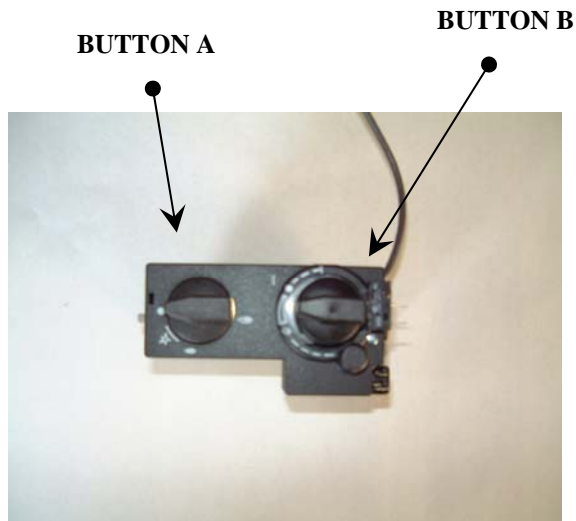
Scheme.3a



Scheme.3b

OPERATING INSTRUCTIONS

In the middle of the stove, behind the lid, you will find the control buttons



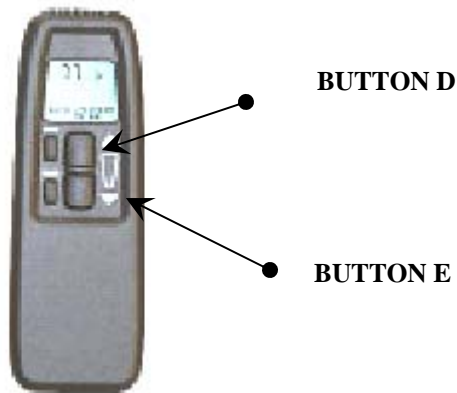
Open the gas tap, which is placed in the gas supply tube. Turn the ignition button – A- against the direction of the clock, as far as you can. Then press and wait several seconds. From the pressed position turn to the lefty until a click can be heard. Looking through the glass from the left side, you can tell if the pilot light is burning. If this is not the case , you should repeat these actions.

If the pilot light is burning, keep the ignition button pressed for 30 seconds. After releasing, the flame should stay alive. Then, turn button –A- further to the left and put on the position of the big flame. Button –B- can now be switched to the desired position, by means of the remote control.

You will learn by experience which position is best for your living room. Use of the remote control is easy. Use button -D- to make the flames higher and button -E- to lower or extinguish the flames.

Switching off the main burner:

Press button -E- on the remote control, until the lamp on the receiver starts to blink. The burner can also be switched off, by turning the ignition button –A- to the right, until you can turn no further.



Switching off the pilot light.

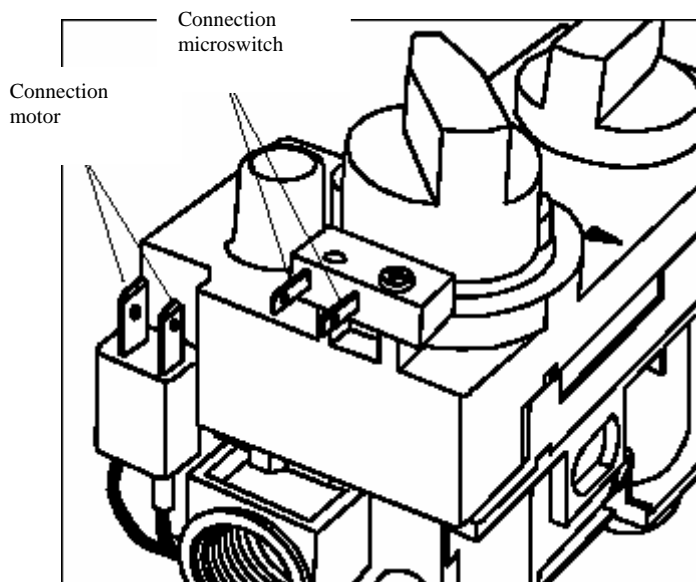
By pressing the ignition button –A- and by turning it farther to the right, you can switch off the pilot light.

User guidelines

Never place inflammable objects underneath or in front of the Stealth. Once the gas fire has gone out, you should wait for at least 3 minutes before igniting the stove again. In order to assure a perfect functioning of the gas fire, we advise to have it cleaned and serviced by a certified fitter. If the fire should switch off repeatedly, you should contact your installer too.

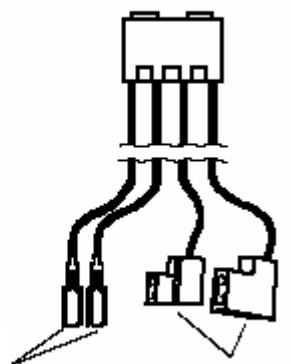
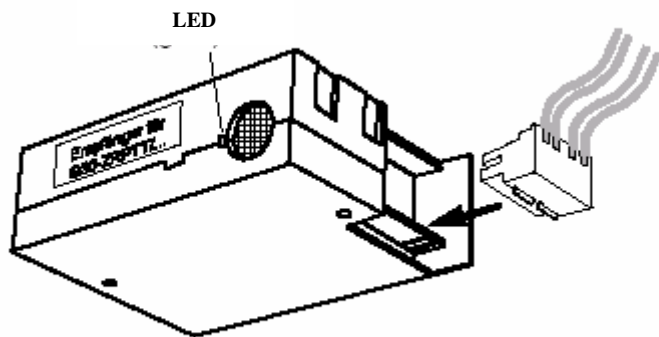
WARNING:

The stove may not be used when the glass is broken. Reparations may be done by an approved fitter and with original parts only, supplied by the manufacturer. The log set may under no circumstances be altered or filled up with extra pieces. If a log is broken, It should be replaced by an original new one. **To avoid the risk of fire, a minimum distance of 60 cm. with furniture and other inflammable pieces must be respected.**



Receiver

Cable



Connect the
Plugs to the
microswitch

Connection motor

Instructions for the use of remote control

Setting the display (from °C/24h to °F/12h and vice versa)

After connecting the battery (type: 9V block, quality recommendation: alkaline) or by pressing AUTO and TIMER simultaneously the display will start to flash. While flashing the appliance is in display-setting mode. By pressing the **AUTO** button one changes from °C to °F and vice versa. The display returns to manual mode after a few seconds, immediate change is possible by pressing the TIMER button.

Setting the time

After connecting the battery (type: 9V block, quality recommendation: alkaline) or by pressing AUTO and TIMER simultaneously the display will start to flash. To set the time press (▲) for hours and (▼) for minutes. Then wait a few seconds or press **TIMER** to go back to manual mode.

Setting the required temperature

Keep **AUTO** pressed until the display starts to flash, then using (▲) or (▼) set the temperature. Wait or press **AUTO** to get to automatic-mode. A sensor in the transmitter will measure the room temperature. The room temperature will be compared to the temperature set. The receiver will receive a signal that will turn the motor of the gas valve to adjust the height of the flames accordingly.

Setting the timer

Keep pressing **TIMER** until the **P1*** display flashes. Using the buttons (▲) for hours and (▼) for minutes set the required 'time on' then press **TIMER**; when **P1●** appears set the 'time off', again press **TIMER** and set the times for program 2 (**P2*** and **P2●**). Confirm by pressing **TIMER**. Outside of the set times a ● will appear in the display.

Using the different modes

Manual setting of the flame size (MAN)

Press (▲) to light the fire (mainburner) or to increase the size of the flames, press (▼) to reduce the size of the flames and to set the stove to pilot light. When pressing these buttons a send symbol will appear top left. If the vents have reached their limits the LED flashes on the receiver.

Temperature control (AUTO)

Press **AUTO** briefly. The set temperature will appear briefly and after that the room temperature.

Timer (TIMER)

In time-mode during ‘time on’ the temperature will be regulated just like in **AUTO** mode, during the ‘time off’ the stove will be left on pilot light. To check the set temperatures press **AUTO** and then go back to time-mode.

During ‘time off’ the temperature is not controlled, thereby keeping the battery usage of the sender to a minimum.

Pressing the (▼) (▲) buttons will always bring you back to manual control. We recommend using the (▼) button at all times before switching off the stove. This will inactivate the sender and will minimize battery wastage.

Changing the batteries

When **BATT** appears top right or the LED on the receiver becomes darker it is time to change the batteries.

Safety disconnection

Should the receiver not receive a signal for 2 hours the stove will be set to pilot light. The stove will cut in again after receiving a signal.

Hints

Before switching on the **AUTO** or **TIMER** modes with (▼) or (▲) check the receptor (when the send symbol appears in the sender, the LED has to light up in the receiver).

For temperature control the flame size will be adjusted during the time the motor turns. This time depends on room size, stove capacity, battery strength etc. A micro processor measures the temperature increase per time and corrects the motor turning time for the next heating cycle to adjust the flame size according to the warmth required.

Is a low setting enough to heat the room the stove will switch between a low setting and off after a few cycles. This ensures more even temperatures and longer burning times compared to the simple on-off option.

A	B	C	D	E	F	G	H
NL	G25 I2L	25mb	5,3kw	14,3mb	1,65	1.45	0,634
NL	I3B/P	30	5,5	16,2	1,5	1,40	0,215
BE	G20/G25 I2E+	20/25mb	5kw	15,4mb	1,35	1.45	0,525
BE	I3P	37	5,5	16,2	1,5	1,40	0,215
FR	G20/G25 I2E+	20/25mb	5kw	15,4mb	1,35	1.45	0,525
FR	I3P	37	5,5	16,2	1,5	1,40	0,215
IT	G20 I2H	20mb	5kw	15,4mb	1,35	1.45	0,525
IT	I3P	37	5,5	16,2	1,5	1,40	0,215
DE	G20/G25 I2ELL	20mb	5kw	15,4mb	1,35/1.65	1.45	0,525
DE	I3P	50	5,5	16,2	1,5	1,40	0,215
AT	G20 I2H	20mb	5kw	15,4mb	1,35	1.45	0,525
AT	I3P	50	5,5	16,2	1,5	1,40	0,215
GB	G20 I2H	20mb	5kw	15,4mb	1,35	1.45	0,525
GB	I3P	37	5,5	16,2	1,5	1,40	0,215
PT	G20 I2H	20mb	5kw	15,4mb	1,35	1.45	0,525
PT	I3P	37	5,5	16,2	1,5	1,40	0,215
ES	G20 I2H	20mb	5kw	15,4mb	1,35	1.45	0,525
ES	I3P	37	5,5	16,2	1,5	1,40	0,215
DK	G20 I2H	20mb	5kw	15,4mb	1,35	1.45	0,525
DK	I3B/P	30	5,5	16,2	1,5	1,40	0,215
LU	G20/G25 I2E	20/25mb	5kw	15,4mb	1,35	1.45	0,525
LU	I3P	37	5,5	16,2	1,5	1,40	0,215
IE	G20 I2H	20mb	5kw	15,4mb	1,35	1.45	0,525
IE	I3P	37	5,5	16,2	1,5	1,40	0,215
SE	G20 I2H	20mb	5kw	15,4mb	1,35	1.45	0,525
SE	I3B/P	30	5,5	16,2	1,5	1,40	0,215
NO	G20 I2H	20mb	5kw	15,4mb	1,35	1.45	0,525
NO	I3B/P	30	5,5	16,2	1,5	1,40	0,215

A:country
B:type of gas
C:pre pressure
D:nom load lv

E:burner pressure
F:nozzle code
G:minimal nozzle
H:consumption

Guarantee conditions

Wanders B.V. in Netterden (The Netherlands) guarantees, for a period of 1 year after date of purchase, the good functioning of this gas-stove, provided that the Stealth is being installed properly, by an approved fitter and used in conformity with the mentioned indications.

The warranty includes all deficiencies related to failures in constructions and materials and comprises the free delivery of replacement parts. Other costs, as for labour, cannot be passed on to Wanders B.V.

Defect parts need to be sent to Wanders B.V. free delivered. Technical malfunctions, due to improper use, disrespect of installation procedures or user guidelines, repair by unqualified fitters, neglect, or adaptation to incorrect type of gas, are not guaranteed!

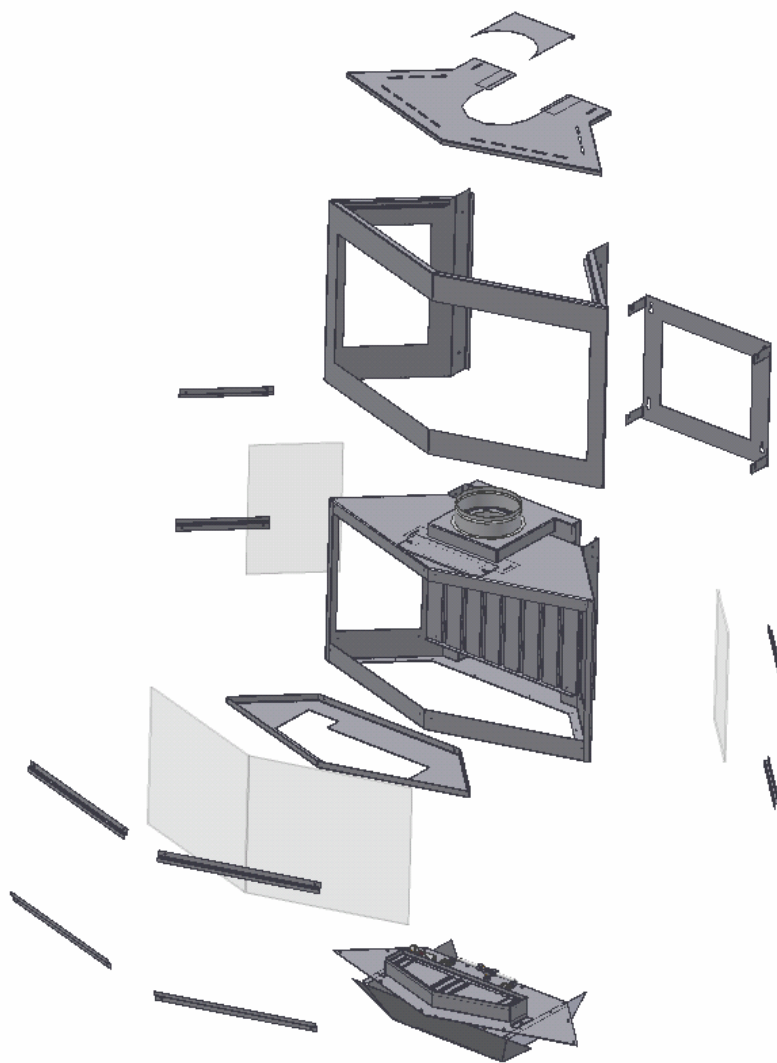
Complaints will be treated only after having received details from the supplier, fitter, gas company, together with a copy of the purchase bill. Reparations don't prolonged the warranty period. Wanders B.V. does not cover damages as a result of a defect.

Fixing the Stealth to the wall:

Take the stove out of the box and remove the top-plate. Then remove the frame by taking out the four screw (scheme 3A). Now take out the front glass by removing the upper fixing strips. The 4 strips below don't need to be removed, but should be loosened a bit. Put the glass away gently as it is very fragile!

Next, fix the support bracket to the wall and attach the Stealth by making use of the 4 hooks at the back. In case the stove is to be connected with a wall outlet, the diameter of the hole in the wall can be determined by means of the concentric tubes and elbow. Now put the tubes into position and place the wood logs as shown on page 7 and 8.

Finally reassemble the Stealth by working in reverse order.



Wanders B.V.
Amtweg 4
7077 AL Netterden /NL
Tel: +31 315 386 414
Fax: +31 315 386201
WWW.WANDERS.NL